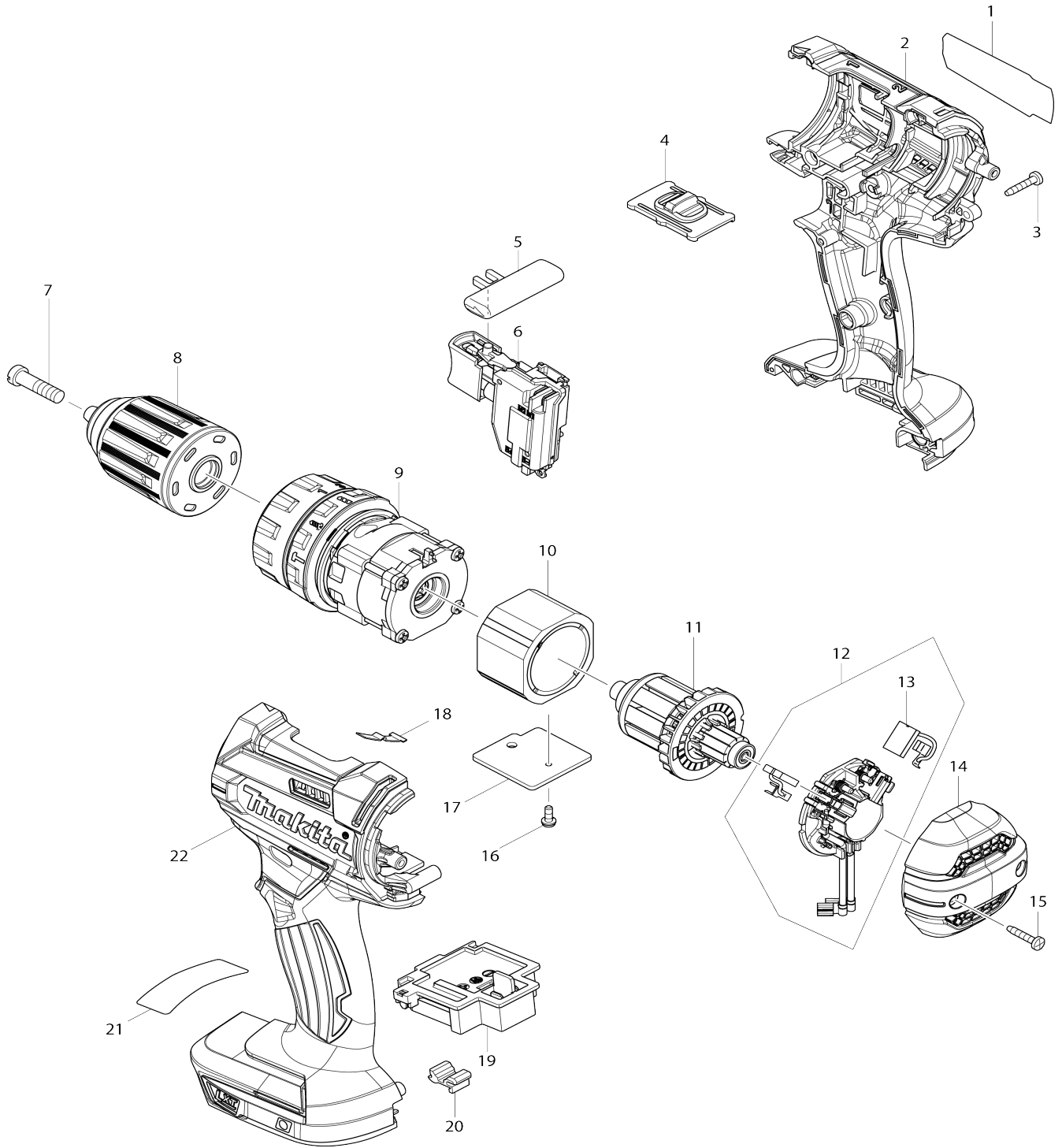


Model No.DHP482 CORDLESS HAMMER DRIVER DRILL

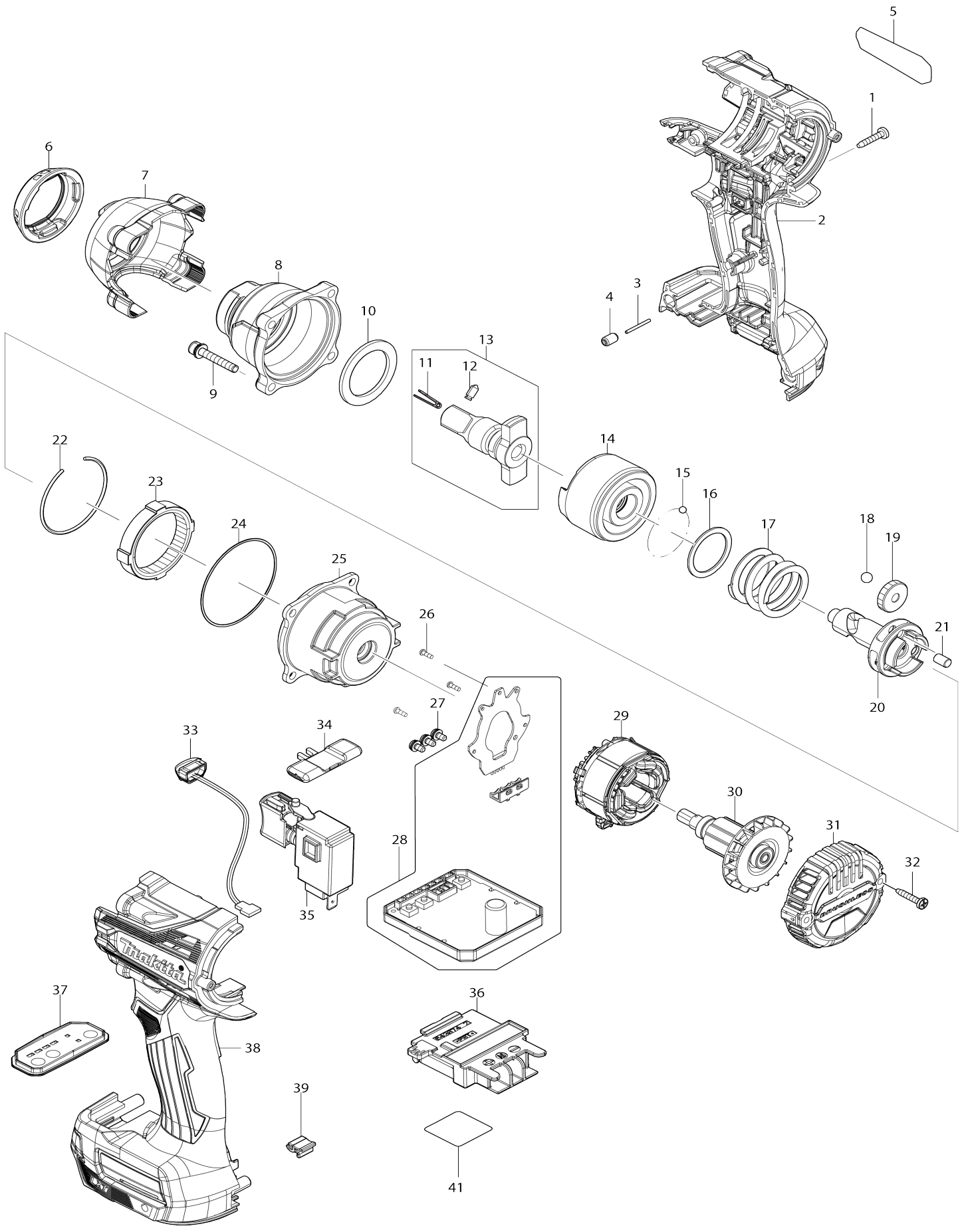


Model No.DHP482 CORDLESS HAMMER DRIVER DRILL

Item No.	Parts No.	Description
001	851E32-8	DHP482 NAME PLATE
001-1	857L25-5	DHP482 NAME PLATE
002	183B65-0	HOUSING SET
C10	263005-3	RUBBER PIN 6
002		INC. 22
003	266429-2	TAPPING SCREW 3X16
003-1	266130-9	TAPPING SCREW BIND PT 3X16
004	123442-2	SPEED CHANGE LEVER ASSEMBLY
C10	233438-6	COMPRESSION SPRING 4
005	419041-9	F/R CHANGE LEVER
006	632F27-4	SWITCH UNIT
C10	620444-4	LED CIRCUIT
C20	688172-7	LINE FILTER
007	251468-5	- FLAT HEAD SCREW M6X22
008	766027-7	KEYLESS DRILL CHUCK 13
009	123443-0	GEAR ASSEMBLY
010	632F32-1	YOKE UNIT
010-1	632J70-7	YOKE UNIT
011	619380-9	ARMATURE
011-1	619583-5	ARMATURE
012	632F21-6	BRUSH HOLDER COMPLETE
C10	688172-7	LINE FILTER
012		INC. 13
013	194427-5	CARBON BRUSH SET CB-440
013-1	195021-6	CARBON BRUSH SET CB-440
014	456099-7	REAR COVER
015	266429-2	TAPPING SCREW 3X16
015-1	266130-9	TAPPING SCREW BIND PT 3X16
016	911006-2	PAN HEAD SCREW M3X8
016-1	652066-2	+PAN HEAD SCREW M3X9 WITH W
017	689070-8	HEAT SINK
017-1	689262-9	HEAT SINK
018	232182-2	LEAF SPRING
019	644808-8	TERMINAL
020	424476-1	CUSHION
022	183B65-0	HOUSING SET
C10	263005-3	RUBBER PIN 6
022		INC. 2
023	857L26-3	DHP482 SERIAL NO. LABEL
A01	251314-2	+ TRUSS HEAD SCREW M4X12
A02	346317-0	HOOK
A02	346449-3	HOOK
A03	784637-8	+ - BIT 2-45
A04	821550-0	CONNECTOR PLASTIC CASE (TYPE 2)
C10	453974-8	LATCH

A04	141856-3	PLASTIC CARRYING CASE COMPLETE
C10	162302-3	LATCH
C20	324207-7	SHAFT
C30	451749-9	HANDLE
A05	450128-8	BATTERY COVER
A06	***DC18RC	DC18RC FAST CHARGER
A07	197265-4	BATTERY BL1840B SET
A07	197254-9	BATTERY BL1820B SET
A07	197600-6	BATTERY BL1830B SET
A07	197280-8	BATTERY BL1850B SET
A07-1	197265-4	BATTERY BL1840B SET
A07-1	197254-9	BATTERY BL1820B SET
A07-1	197600-6	BATTERY BL1830B SET
A07-1	197280-8	BATTERY BL1850B SET
A07-2	197265-4	BATTERY BL1840B SET
A07-2	197600-6	BATTERY BL1830B SET
A08	837916-4	INNER TRAY
A08	837863-9	INNER TRAY
A08	808Y42-6	DHP482RFE3 PLASTIC CASE LABEL
A08	807S02-9	DHP482RME PLASTIC CASE LABEL
A08-1	816F53-3	DHP482RFE3 PLASTIC CASE LABEL
A08-1	816F45-2	DHP482RME PLASTIC CASE LABEL
A08-1	816F51-7	DHP482RFE PLASTIC CASE LABEL
A08-1	817V69-7	DHP482RF PLASTIC CASE LABEL
A09	808J15-9	DHP482RMJ INDICATION LABEL
A09	808J17-5	DHP482RAJ INDICATION LABEL
A09-1	816F64-8	DHP482RMJ INDICATION LABEL
A09-1	816F66-4	DHP482RAJ INDICATION LABEL
A09-1	816F83-4	DHP482RT3J INDICATION LABEL
A10	808J16-7	DHP482RMJ PLASTIC CASE LABEL
A10	808J18-3	DHP482RAJ PLASTIC CASE LABEL
A10-1	816F65-6	DHP482RMJ PLASTIC CASE LABEL
A10-1	816F67-2	DHP482RAJ PLASTIC CASE LABEL
A10-1	816F84-2	DHP482RT3J PLASTIC CASE LABEL
E02	654015-5	EARTH TERMINAL
E03	654501-6	CONNECTOR P-1.25

Model No.DTW301 CORDLESS IMPACT WRENCH



Model No.DTW301 CORDLESS IMPACT WRENCH

Item No.	Parts No.	Description
001	266130-9	TAPPING SCREW BIND PT 3X16
002	183P27-2	HOUSING SET
C10	263005-3	RUBBER PIN 6
C20	252126-6	HEX. LOCK NUT M4-7
002		INC. 38
003	268284-8	PIN 1.5
004	263036-2	RUBBER PIN 5
005	857A36-4	DTW301 NAME PLATE
006	422584-2	BUMPER
007	412556-5	HAMMER CASE COVER
008	140T36-8	HAMMER CASE COMPLETE
008-1	1410F7-0	HAMMER CASE COMPLETE
008-2	140T36-8	HAMMER CASE COMPLETE
009	265472-8	HEX. SOCKET HEAD BOLT M4X25
009-1	265D40-1	H. S. HEAD BOLT M4X25 WITH W R
010	261154-0	NYLON WASHER 28
011	322045-1	CLIP
012	323675-1	PIN 4
012-1	327D10-9	PIN4
012-2	323675-1	PIN 4
013	136240-5	ANVIL A ASSY
013		INC. 11,12
013-1	136240-5	ANVIL A ASSY
013-1		INC. 11,12
013-2	136240-5	ANVIL A ASSY
013-2		INC. 11,12
013-3	137254-7	ANVIL A ASS'Y
013-3		INC. 11,12
014	327572-3	HAMMER
015	216001-0	STEEL BALL 3.5
016	267175-0	FLAT WASHER 24
017	232615-7	COMPRESSION SPRING 25
018	216011-7	STEEL BALL 5.6
019	227338-0	SPUR GEAR 22
020	327573-1	SPINDLE
021	268311-1	PIN 5
022	233910-8	RING SPRING 43
023	227337-2	INTERNAL GEAR 51
024	213785-1	O-RING 49
025	140T37-6	INTERNAL GEAR CASE COMPLETE
026	266490-9	TAPPING SCREW PT 2X6
027	652069-6	FLAT HEAD SCREW M3X6
028	620C64-2	CONTROLLER
029	629477-6	STATOR
029-1	629A98-0	STATOR
030	619626-3	ROTOR

031	412555-7	REAR COVER
032	266130-9	TAPPING SCREW BIND PT 3X16
033	620521-2	LED CIRCUIT
034	455053-8	F/R CHANGE LEVER
035	651443-5	SWITCH C3JR-4B
036	643874-2	TERMINAL
037	140T43-1	SWITCH PLATE COMPLETE
C10	8012S9-8	SWITCH LABEL
037-1	141Y82-4	SWITCH PLATE COMPLETE
C10	8012S9-8	SWITCH LABEL
038	183P27-2	HOUSING SET
C10	263005-3	RUBBER PIN 6
C20	252126-6	HEX. LOCK NUT M4-7
038		INC. 2
039	424517-3	CUSHION
041	857A41-1	DTW301 SERIAL NUMBER LABEL
A01	266622-8	+ TRUSS HEAD SCREW M4X12
A02	346317-0	HOOK
A03	821550-0	CONNECTOR PLASTIC CASE (TYP E2)
C10	453974-8	LATCH
A04	835L10-8	INNER TRAY
A05	8014B0-9	DTW301RTJ PLASTIC CASE LABEL
A06	8014A9-4	DTW301RTJ INDICATION LABEL
A07	***DC18RC	DC18RC FAST CHARGER
A07		COMPO-PARTS
A08	450128-8	BATTERY COVER
A09	197280-8	BATTERY BL1850B SET
F03	191K57-9	TOOL HANGER SET